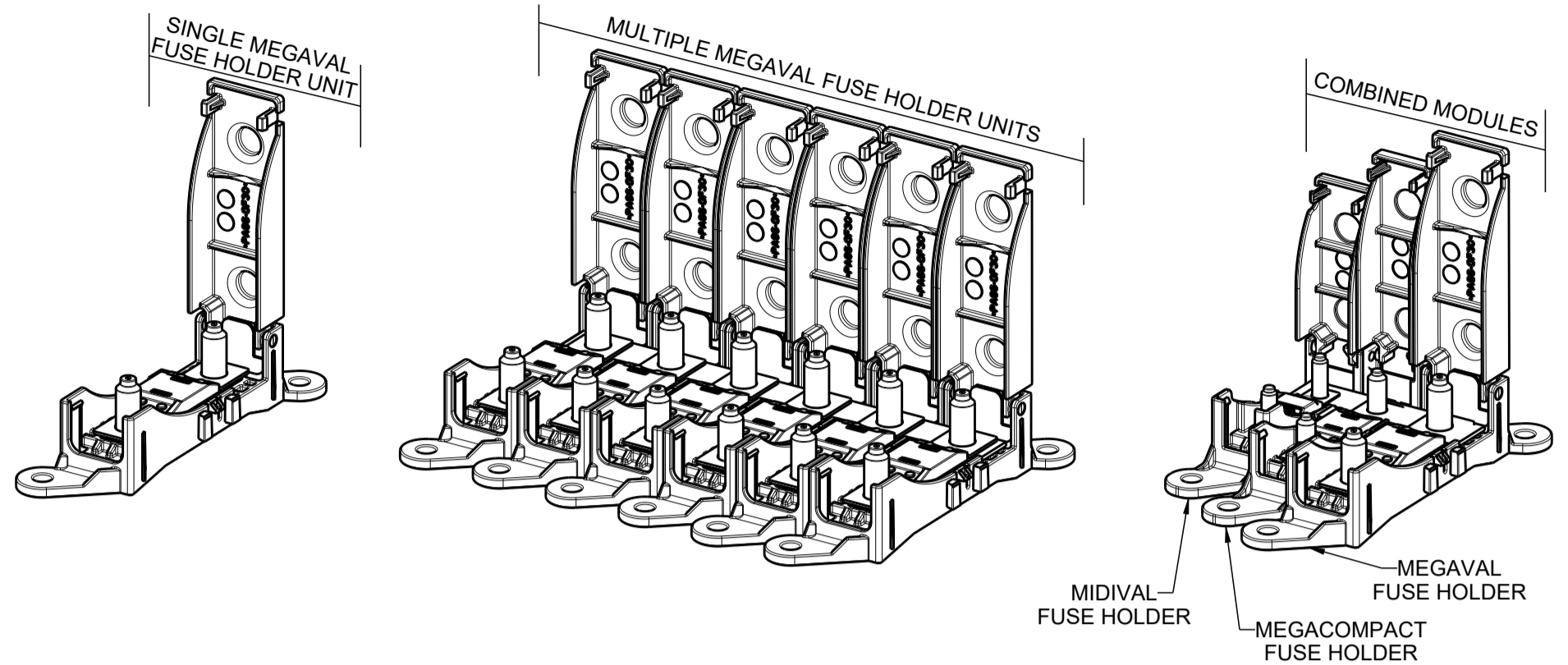


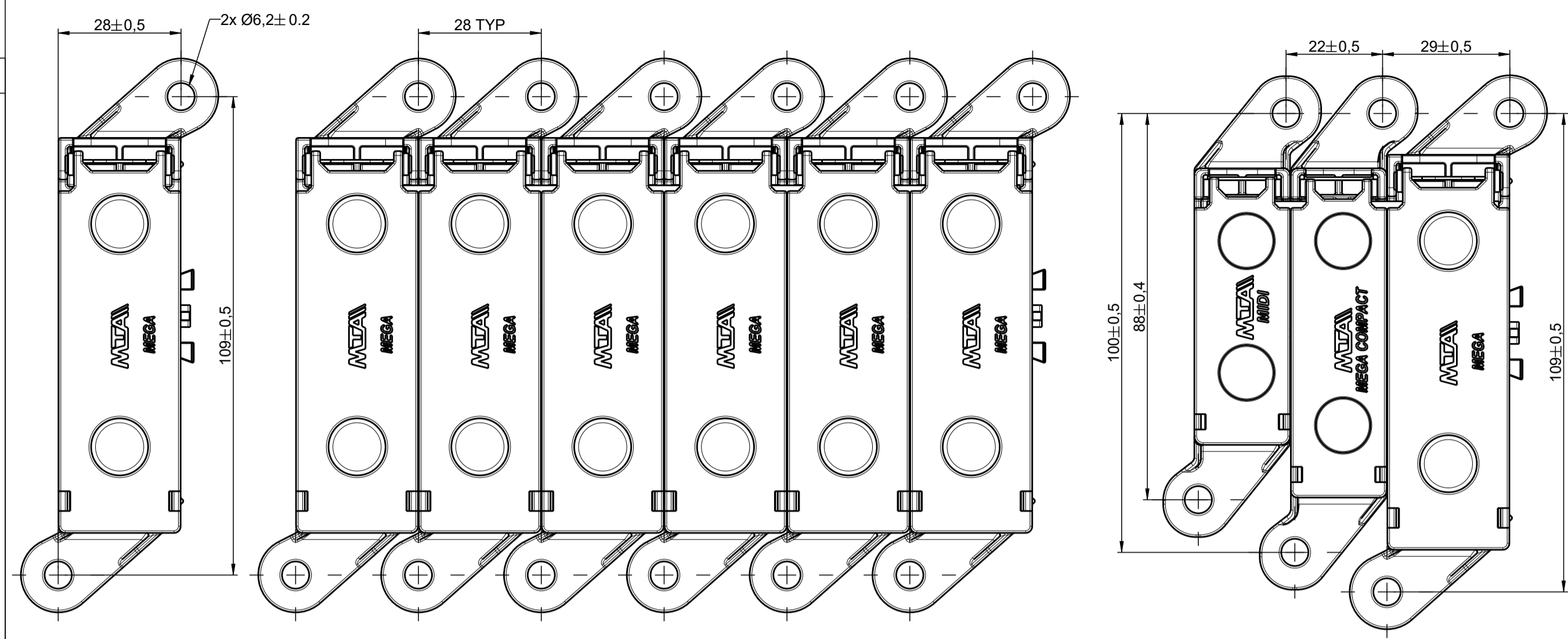
SPECIAL CHARACTERISTICS (IO 515)			
REPORT	SC	AREA	CRITICAL VALUE
01	0	E12	OPERATING FEATURES
02	0	E10	OPERATING FEATURES
03	0	E9	CABLE FIXATION

REPRESENTATIVE VIEW - ASSEMBLY CONFIGURATIONS

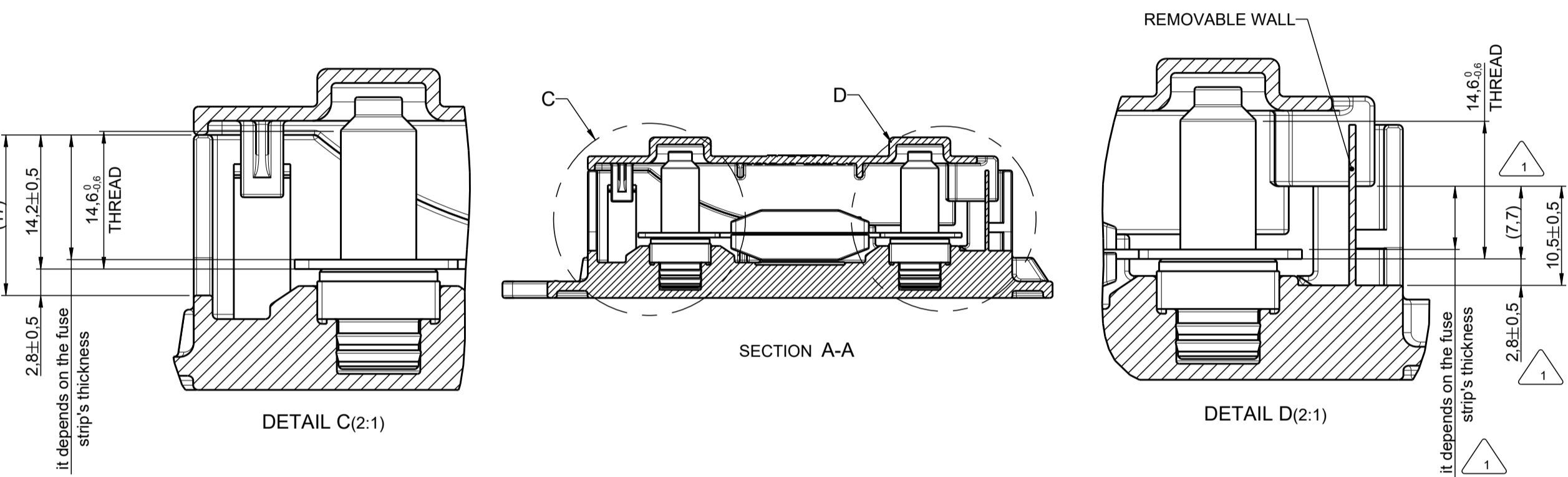


SCALE 1:2

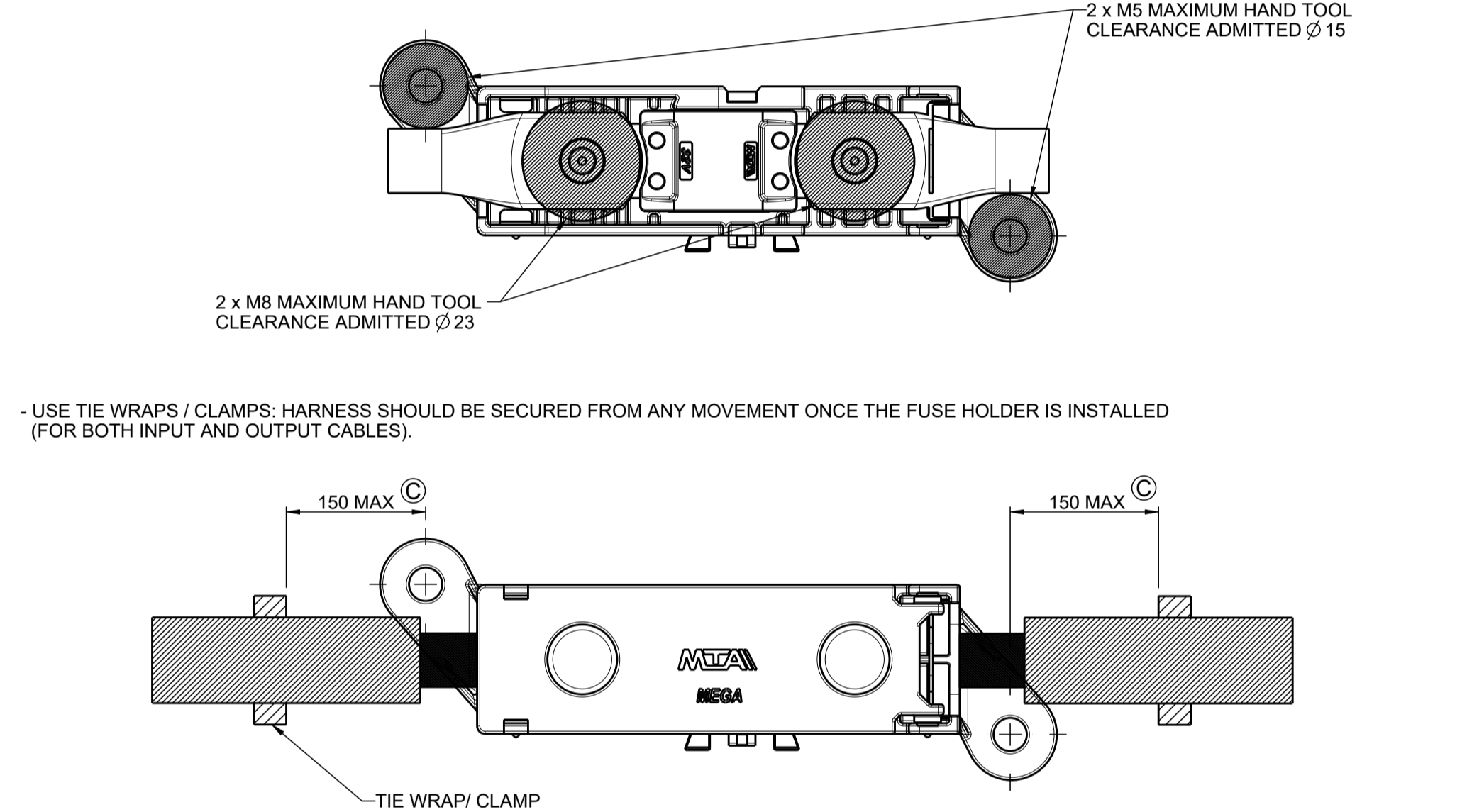
REPRESENTATIVE VIEW OF FIXING POINTS WITH STUD M5



MEGAVAL FUSE HOLDER WITH ASSEMBLED COVER - OVERALL DIMENSIONS COMPLIANT WITH ISO 8820-5:2015 SF51



INSTALLATION



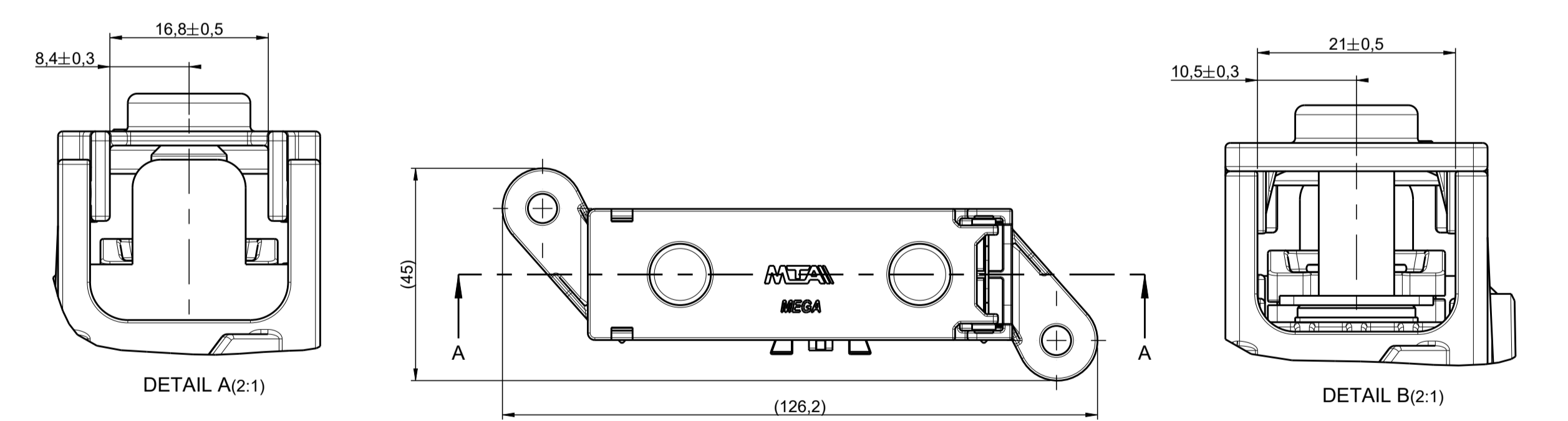
UNCONTROLLED COPY
In case of drawing updating/revision
NO AUTOMATIC
resubmission will follow

OPERATING FEATURES		
FEATURES	UNIT	VALUE
V MAX	V	32
I MAX	A	SEE ADDITIONAL NOTE (1)
TEMPERATURE RANGE	°C	SEE ADDITIONAL NOTE (2)
VIBRATION CLASS	-	SEE ADDITIONAL NOTE (3)
IP	IEC 529	20
FLAMMABILITY	UL 94	HB
	FMVSS 302	≤ 100 mm/min
FUSE AND TERMINAL TIGHTENING TORQUE M8	Nm	12 ± 1
TIGHTENING TORQUE M5 FIXING POINTS	Nm	3.5 +/- 10%

MTA M8 TERMINALS ASSOCIATED TABLE			
POS.	TERMINAL	MATERIAL	WIRE SECTION
A - B	1706760/xx	CuZn-Sn	8 + 10 sqmm
A - B	1605100/xx	CuZn-Sn	16 sqmm
A - B	1605010/xx	CuZn-Sn	25 sqmm
A - B	1609330/xx	Cu-Sn	25 + 40 sqmm
A - B	1605021/xx	Cu-Sn	35 sqmm
A - B	1607510/xx	Cu-Sn	35 + 50 sqmm

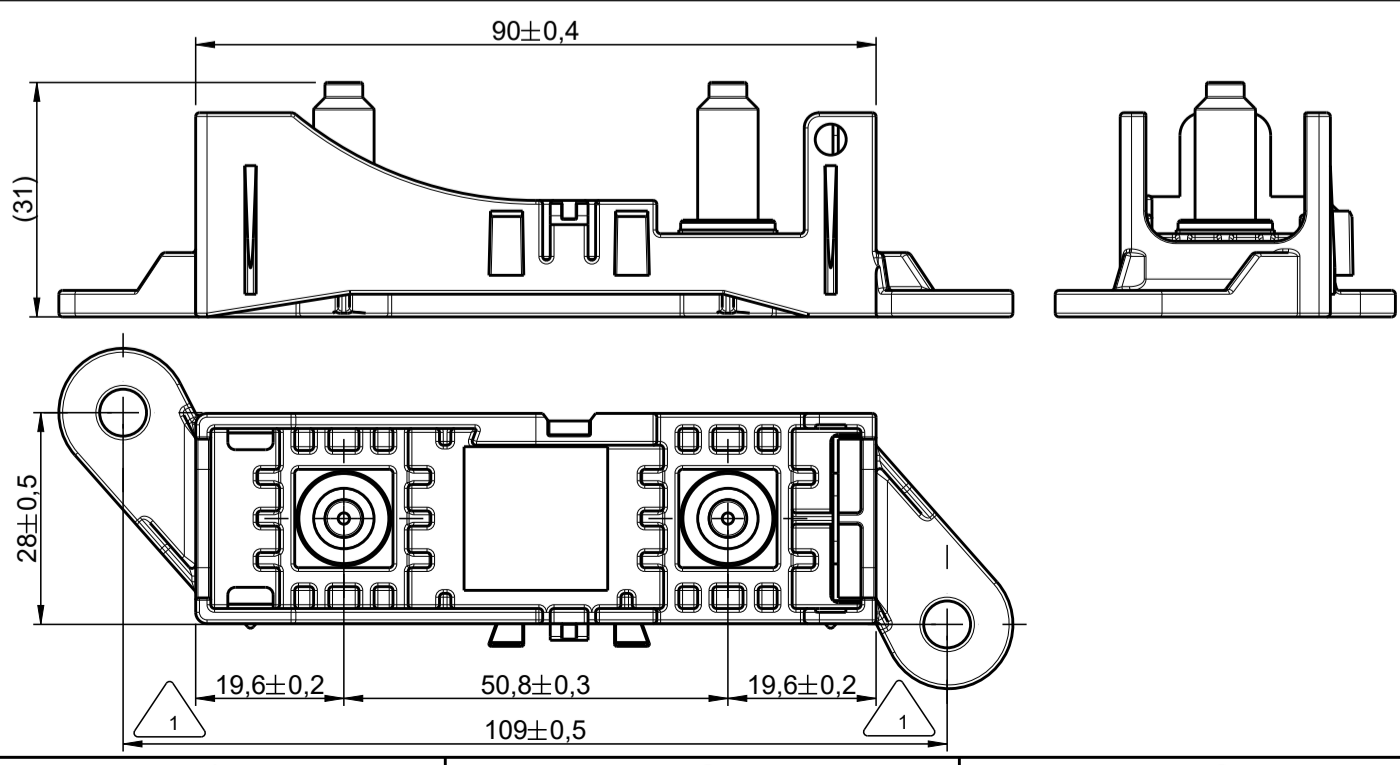
IMPORTANT NOTE

- 1) CONSIDERING ALL POSSIBLE CONFIGURATIONS, IN ANY CASE, THE INSTALLER SHOULD TEST THE APPLICATION TO VERIFY THE PRODUCT MEETS THE CUSTOMER'S EXPECTATIONS.
- 2) IN CASE OF SINGLE MODULE APPLICATION THE COVER WILL BE IN THE SAME PACKAGE BUT NOT ASSEMBLED.
- 3) IN CASE OF COMBINED OR MULTIPLE CONFIGURATIONS THE COVER STATE OF SUPPLY WILL BE CHOSEN ACCORDING TO THE CUSTOMER'S NEEDS (ASSEMBLED OR NOT).
- 4) ASSOCIATED TERMINALS ARE DESCRIBED IN THE TABLE BELOW.
- 5) IN CASE OF COMBINED MULTIFUSE SEE ALSO: MEGACOMPACT FUSE HOLDER DRAWING 0301497/xx MIDAVAL FUSE HOLDER DRAWING 0301499/xx.
- 6) FOR THE CORRECT ASSEMBLY MUST BE USED SELF LOCKING NUT M8. STUDYING THE MAXIMUM HEIGHT OF THE NUTS ACCORDING TERMINALS HEIGHT TO GUARANTEE MINIMUM TWO THREADS AFTER THE ASSEMBLY.
- 7) THERE IS A POSSIBILITY THAT THE TERMINAL AREA IS EXPOSED, IT CAN BE COVERED BY A THERMO-SHRINKING SHEATH.
- 8) IT IS SUGGESTED TO SCRAP THE FALLEN PIECES.

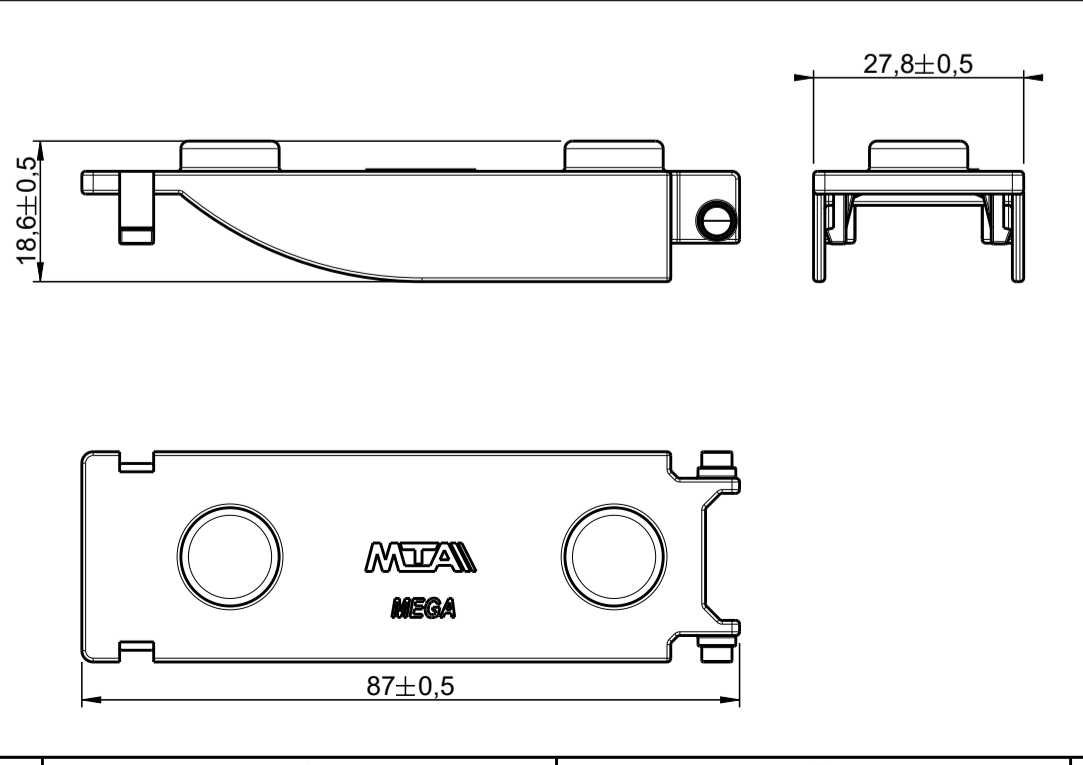


REFERENCE TABLE A-B POSITION MAXIMUM TERMINAL SIZE			
MAX 9.5	M8 STUD	MAX 14	MAX 16
MAX 21		MAX 9	

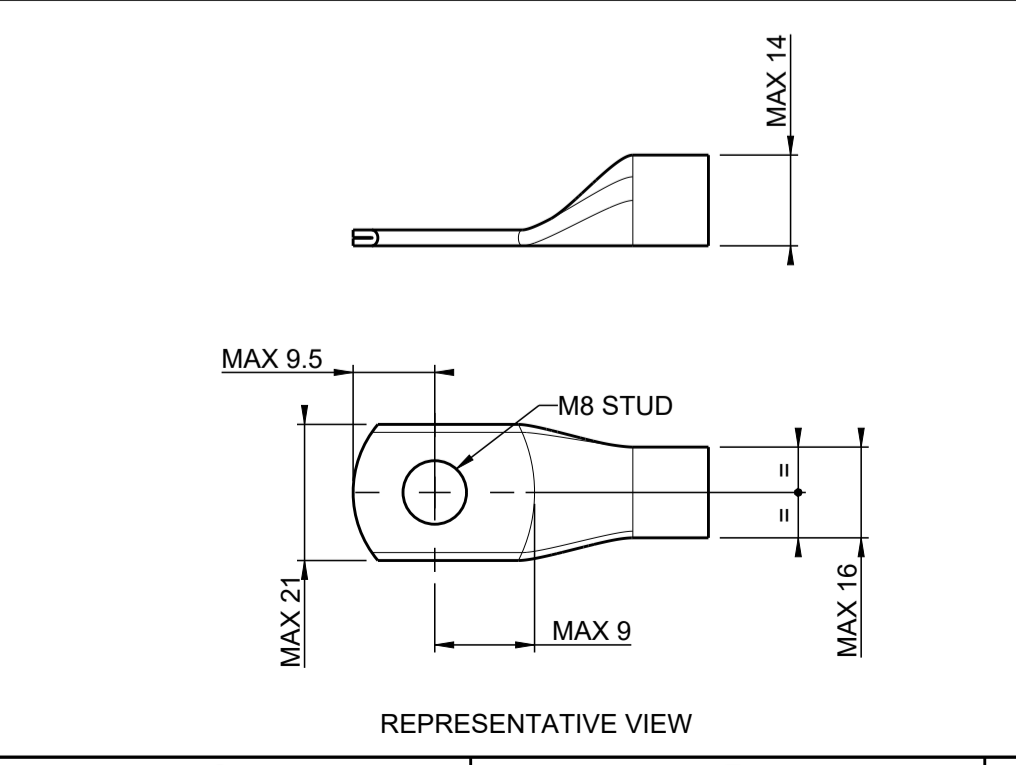
MEGAVAL FUSE HOLDER WITHOUT COVER OVERALL DIMENSIONS



MEGAVAL FUSE HOLDER COVER OVERALL DIMENSIONS



REFERENCE TABLE A-B POSITION MAXIMUM TERMINAL SIZE



REVISION HISTORY			
REV.	DESCRIPTION	NAME	DATE
0	FIRST ISSUE	E.GROSSI	12.04.16
1	P/N UPDATED TO 0301498/1x ACCORDING TO RMP 1600003-01_REV.0 ADDED DIMENSIONS AVAILABLE FOR THE TERMINALS	D.SCARPETTA	09.04.18

POS.	Q.TY	DENOMINATION	MATERIAL
3	1	COVER	PA66-GF30 (BLACK)
2	2	SCREW M8	STEEL CL. 8.8 - ZnNi
1	1	BODY	PA66-GF30 (BLACK)

MTA		0301498/1x		Denom. MEGAVAL FUSE HOLDER	
Date	Name	Draw No.	Draw for	Used for	Material
06.05.16	E.GROSSI	16003M-00A	CLIENT	-	SEE TABLE
10.04.18	F.ZIMMITTI	1:1	Scale	Weight(g)	SEE TABLE
27.04.18	M.ROSSI	A1	Dimensions in (mm)	Sheet 1/1	SEE TABLE
27.04.18	G.SPATARO		CAD Software PTC Creo		

REV 1 All proprietary rights reserved by MTA S.p.A. - This drawing shall not be reproduced, or in any way utilized, for the manufacture of the component or unit herein illustrated and must not be released to other parties, without written consent. Any infringement will be legally pursued.