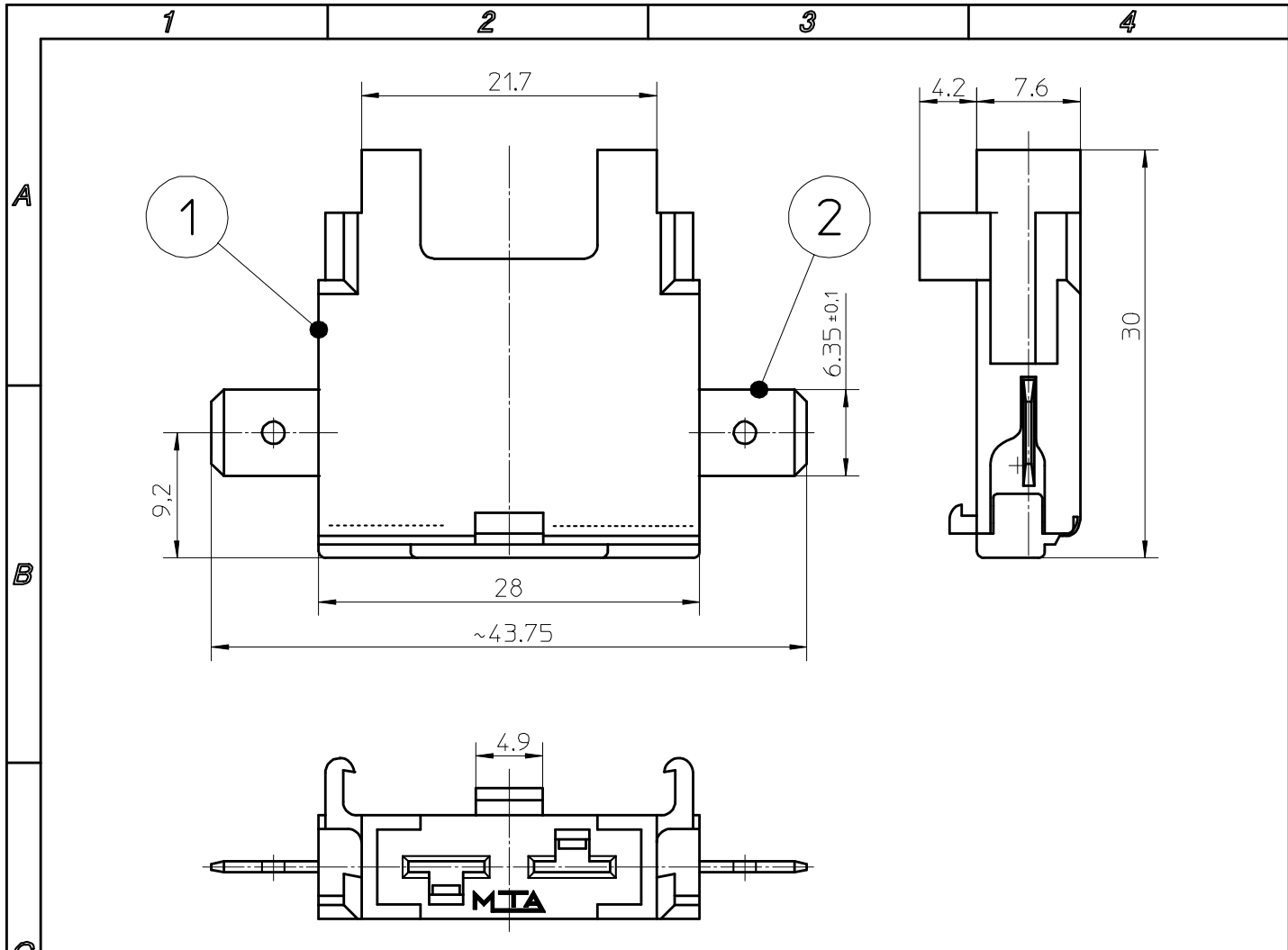


All proprietary rights reserved by MECCANOTECNICA CODOGNESE S.p.A. - This drawing shall not be reproduced, or in any way utilized, for the manufacture of the component or unit herein illustrated and must not be released to other parties, without written consent. Any infringement will be legally pursued.



Pos.	Q.ty	DENOMINATION	MATERIAL
2	2	TERMINAL	Cu Zn 33
1	1	HOUSING	PA 66 HB

03.00343	BLACK	50	-40 / +120	21
03.00341	NATURAL			
REF. MTA	COLOR	V MAX (V)	T min - T max (°C)	I Continuous (A)



MTA P/N	03.00341	Denom. FUSEHOLDERS "IN-LINE"							
Draw No.	B0-001.003A	Used for FUSES STRIP							
Rel. Level	APPROVED	Draw for	CLIENT	Family FUSEHOLDERS	ONEWAY				
Date	Name	Scale	Weight(g)	Lin.Tol.*	Ang.Tol.*	Material	SEE TABLE	Thick.	Width
Draft	05/01/1996	L. BASSI	2:1	0.5	2	Coating	SEE TABLE		
Chk	05/01/1996	L. BASSI							
PQApp	30/11/2004	R.GONZALEZ	A4	Dimensions in (mm)	Sheet	Color	SEE TABLE		
App.	30/11/2004	M.CORBANI							

3	OPERATING FEATURES UPDATED				
No.	Reason for Revision	Date	25/11/2004	Name	A. CAPELLI